

67" ICARUS CAST IRON SLIPPER TUB

Cat. No.
CTS7H67



L: 67"
W: 30"
H: 22" & 29" (from floor to top of tub)

Depth: 13-1/2" to overflow
17" at drain

Overflow hole: 1-1/2" diameter

**The following is recommended for
CTS7H67 tubs:**

- Rim-mounted faucet: part #4601 or 7529
- Straight bath supplies: part #5577
- Leg tub drain: part #5599
- Complete shower unit: Part# 4063

Gallon Capacity:	57
Shipping Weight:	410 lbs.
Empty Weight:	300 lbs.
Filled Weight:	776 lbs.

Features:

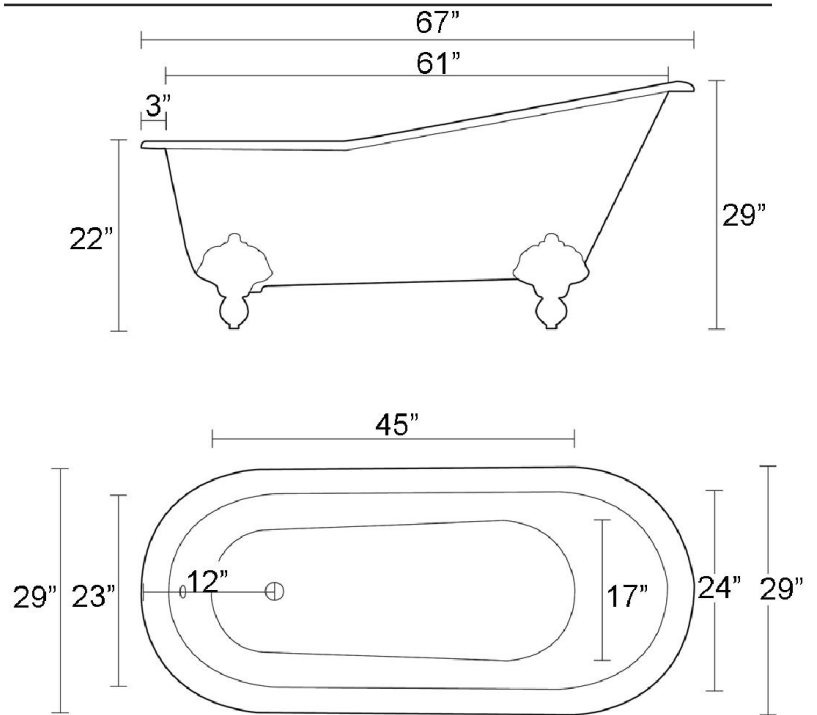
- ▶ Inside finish is white enamel
- ▶ Pre-drilled overflow hole
- ▶ Cast Iron ball and claw feet
- ▶ Tub exterior is white (epoxy)
- ▶ 7" centers in tub deck
- ▶ Feet attached and leveled before shipment
- ▶ Tub is thoroughly inspected before shipment

Foot Finishes:

- BP** Polished Brass
- CP** Polished Chrome
- PN** Polished Nickel
- SN** Brushed Nickel
- WH** White
- ORB** Oil-rubbed Bronze



Custom Colors Available (inside of tub is always white enamel):
Painted bathtubs are considered "special order" and are not returnable
\$160 Bisque or Black \$250 Designer Color



Dimensions and specifications subject to change without notice.

TUB RIM MOUNT FILLER WITH HANDSHOWER

Cat. No.
4601



Features:

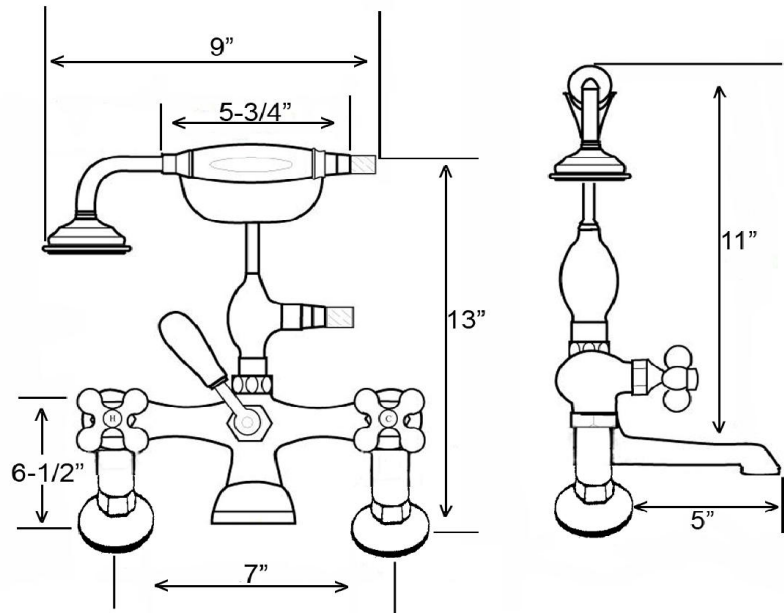
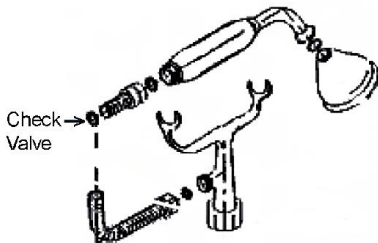
- ▶ Brass construction
- ▶ Elephant spout length is 5"
- ▶ Spout has flow rate is 3.70 GPM
- ▶ Available with porcelain lever (4601- PL) or metal cross lever handles (4601-MC)
- ▶ Telephone handshower with cradle and hose
- ▶ Handshower flow rate 2.5 GPM
- ▶ Handshower includes backflow preventer
- ▶ 6" Elbow mounts included
- ▶ 7" Centers for deck mounting on acrylic or cast iron tubs
- ▶ ¼ Turn ceramic disc cartridges
- ▶ To be used with straight bath supplies, **Part #5577**

Finishes:

BP Polished Brass	PN Polished Nickel
CP Polished Chrome	ORB Oil Rubbed Bronze
SN Brushed Nickel	



6" Elbow Mounts



Dimensions are nominal and may vary. Dimensions and specifications subject to change without notice.

STRAIGHT BATH SUPPLIES

Cat.No.

5577



H: 24"

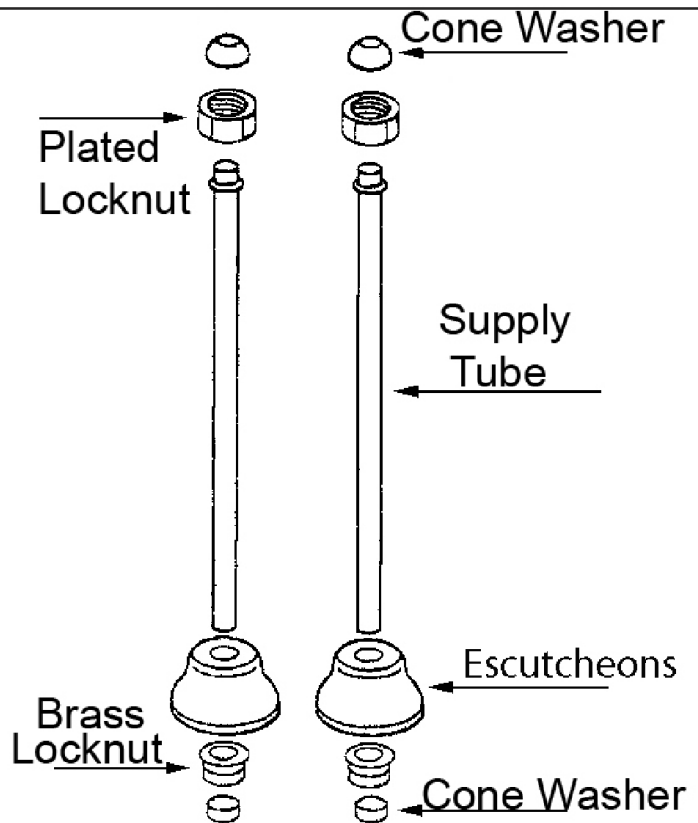
OD: 1/2"

Features:

- ▶ For use with faucets mounted to the tub deck
- ▶ No stops
- ▶ 1/2" Compression inlet
- ▶ 3/4" Compression outlet
- ▶ Bottom flange 2 1/2" diameter
- ▶ 0.500" Outer diameter
- ▶ 0.400" Inner diameter
- ▶ 0.030" Thickness of the wall
- ▶ Available in 5 Finishes

Finishes:

CP	Polished Chrome	SN	Brushed Nickel
BP	Polished Brass	ORB	Oil Rubbed Bronze
PN	Polished Nickel		



Use on concrete floors requires special installation. We recommend using a plumbing professional.

Dimensions and specifications subject to change without notice.

LEG TUB DRAIN

Cat. No.
5599



Escutcheon Height: 1-1/4"

Features:

- ▶ Twist-and-lift stopper
- ▶ Includes deep escutcheon
- ▶ Height adjustable 15"-18"
- ▶ Depth adjustable 12"-14"
- ▶ Includes deep escutcheon
- ▶ Available in 5 Finishes

Finishes:

- CP Polished Chrome
- BP Polished Brass
- SN Brushed Nickel
- PN Polished Nickel
- ORB Oil Rubbed Bronze

#5599 Leg Tub Drain



Dimensions and specifications subject to change without notice.